



Pavone Sistemi's WORLDWIDE EXCLUSIVE DEALING, high performance and reliability

Upload and download function for programming with TESTER 1006

10 points linearization

Datasheet or deadload calibration

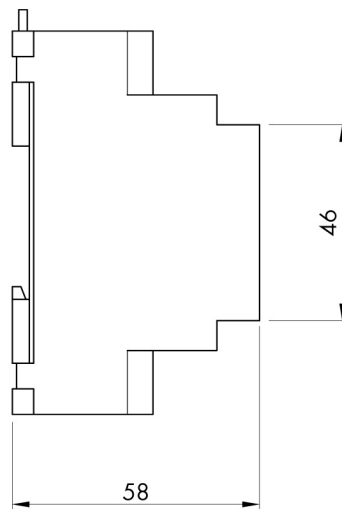
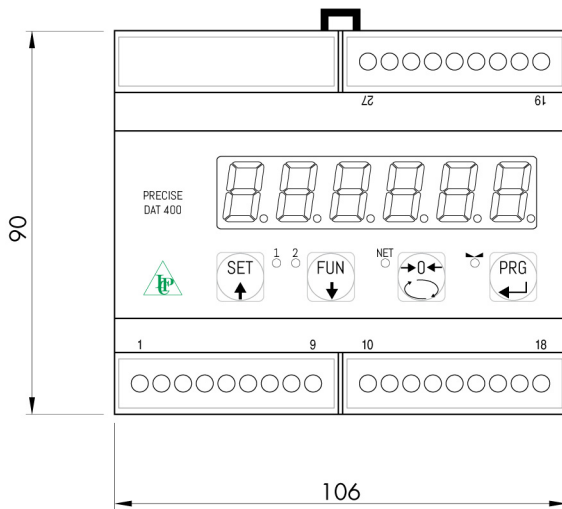
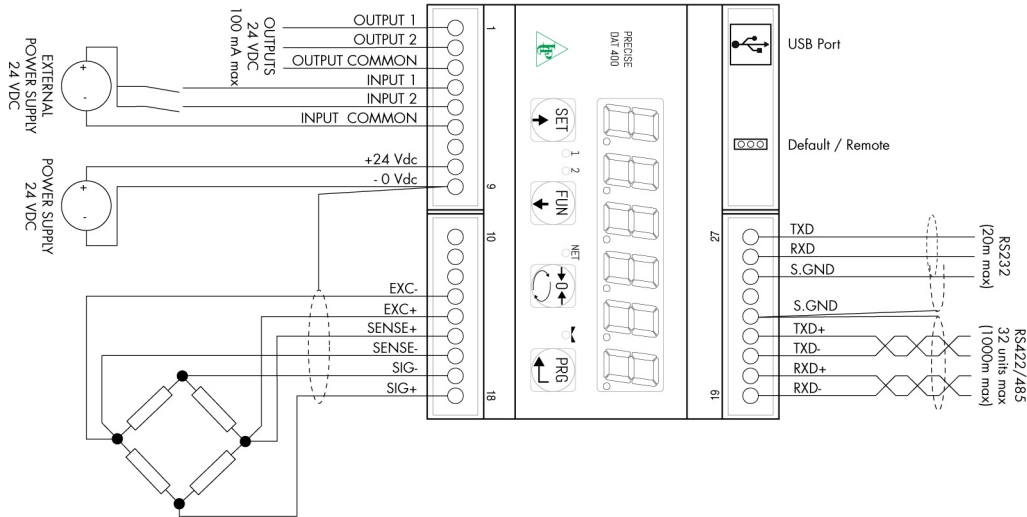
Configuration and calibration via front panel or PC with Innovation software; USB serial port available

ON REQUEST: DAT 400 BIPOLAR VERSION

### TECHNICAL CHARACTERISTICS DAT 400

Trasducer input voltage:	5 V (max 6 load cells 350 Ohm)
Measuring range:	-0.5 ÷ +3.5 mV/V (-3.9 ÷ +3.9 mV/V optional)
Input sensitivity:	0.02 microV/division
Linearity:	< 0.01% FS
Temp. drift:	< 0.001% FS/ °C
Display:	6 digit, red LED (7 segments), h 14 mm
A/D Converter:	24 bit
Resolution:	> 16.000.000 counts
Display resolution:	60.000 divisions displayable on net weight
Divisions value (adjustable):	x1, x2, x5
Decimal:	0.0 ; 0.00 ; 0.000
Filter:	0.1÷25 Hz adjustable
Keyboard:	4 push buttons
Tool voltage:	24 Vcc ±15% - power 5 W
Temperature range:	-10 ÷ +50 °C
Storage Temperature:	-20/+70°C
Logic output:	2 Solid-state relays, (maximum load 24 Vdc / 100 mA each)
Logic input:	2 optoisolated 24 Vdc PNP (External voltage)
Serial ports:	Nr. 2 - USB/RS232C, RS422/485 with ASCII or Modbus RTU protocols
Transmission distance:	15m (RS232C) and 1000m (RS422 e RS485)
Peak Hold function:	only for dynamics measures
Baud rate:	2400, 9600, 19200, 38400, 115200 adjustable (for RS232)
Regulatory compliance:	EN61326-1, EN55011 and EN55014 for EMC; EN61010-1 for electrical security
Electrical connection:	Screw terminals 5 mm
Dimensions and weight:	106 x 90 x 58 mm (L x H x P); 250 g





**SCIGATE AUTOMATION (S) PTE LTD**

No.1 Bukit Batok Street 22 #01-01 Singapore 659592

Tel: (65) 6561 0488

Fax: (65) 6562 0588

Email: sales@scigate.com.sg

Web: www.scigate.com.sg

Business Hours: Monday - Friday 8.30am - 6.15pm

